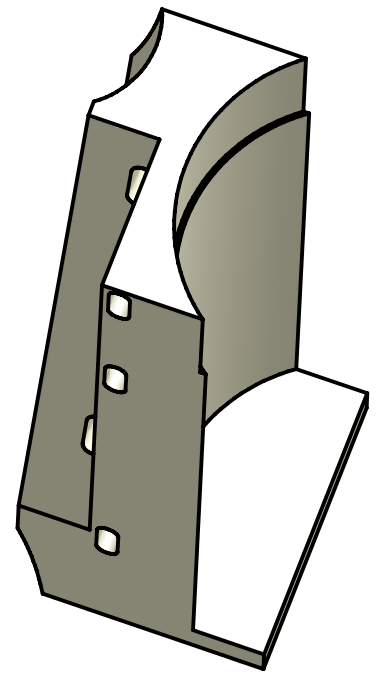
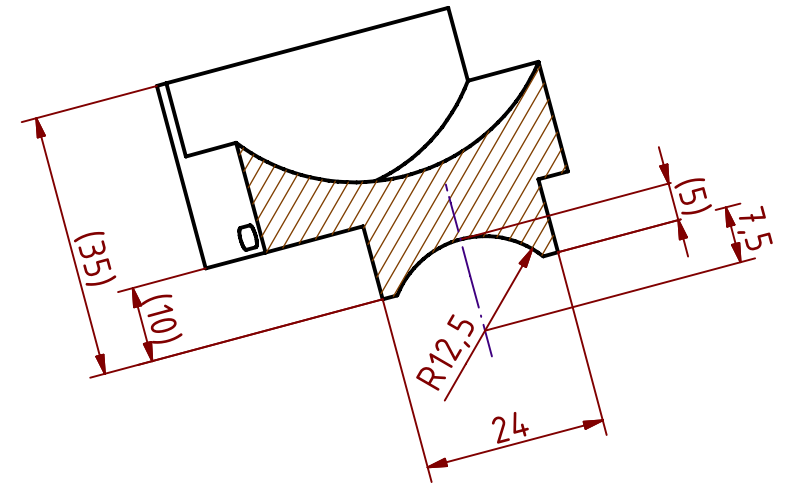
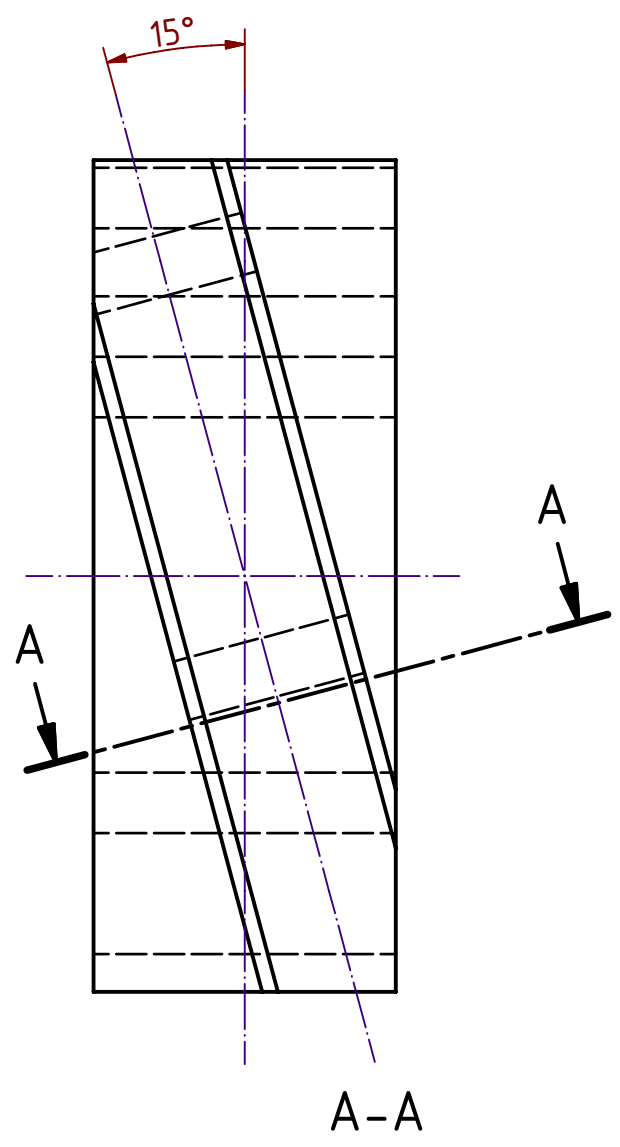
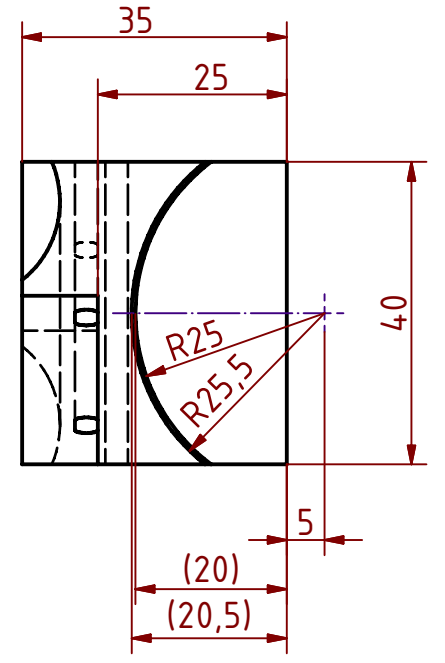
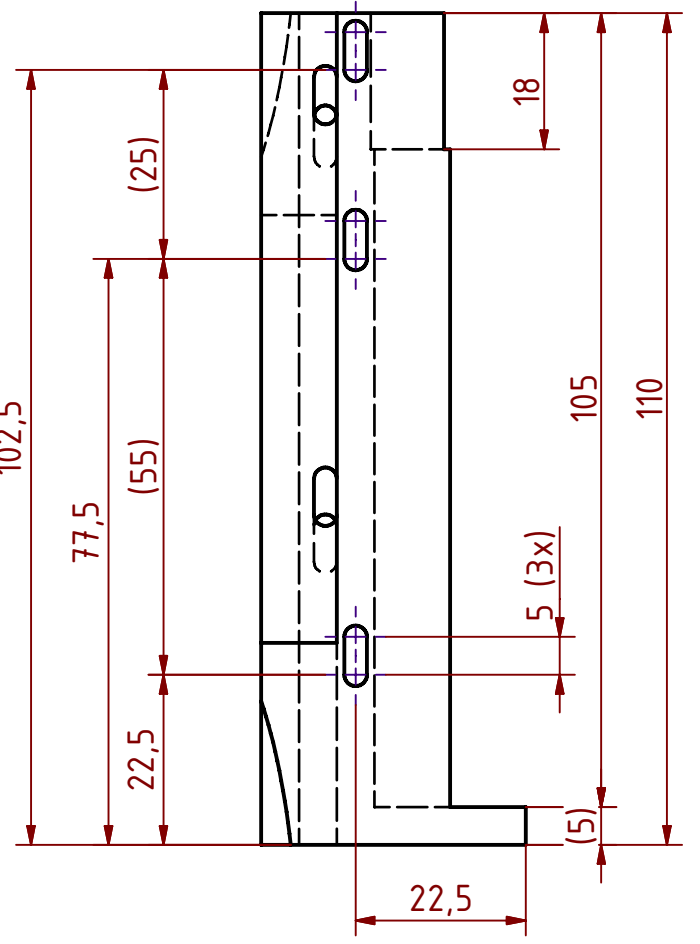
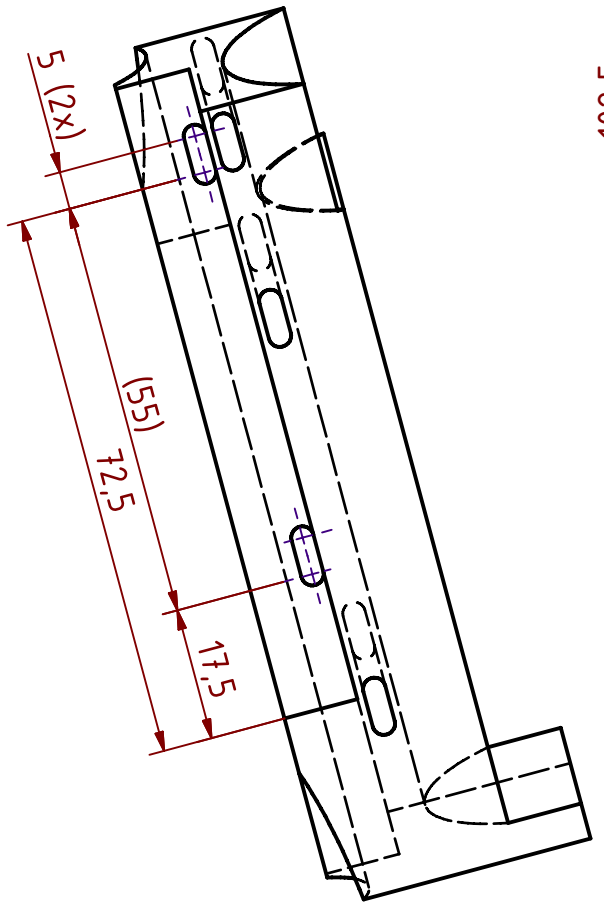
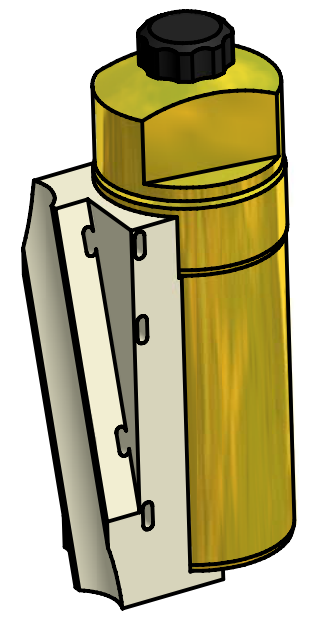


This document must not be reproduced, copied or made available to third persons without prior written approval by Seebach GmbH. Violations will be prosecuted and the violator will be held financially liable. This document is to be returned to Seebach GmbH after use. All rights with respect to patents and registered trademarks are reserved.



Zusammenbau (1:2)



Allgemeintoleranz / General tolerance: DIN ISO 2768-m-K		Werkstoff / Material 3.3547 AlMg4,5Mn		Maßstab / Scale 1:1		Gewicht / Weight	
Oberflächenangaben / Surface quality: DIN ISO 1302		Date 16.04.2007		Name OL		Artikel-Nr. / Item no.	
Kanten / Edges: ISO 13715		Checked		DIN ISO 128-30		Benennung / Denomination Halterung	
Index		Änderung/Change		Date		Name	
TTTeile		Date		Name		Check	
DIN ISO 128-30		Date		Name		Check	
dagoolli's folle		Date		Name		Check	
TTTeile		Date		Name		Check	
Zeichnungsnummer / Drawing no. A3-TT-02-501-F		Rev.-Index / Change 1		Blatt / Page 1		Bl. / Pgs. 1	
TT-02-501_Halterungipt		TT-02-000.idw					